

PLEASE CHECK WWW.MOLEX.COM FOR LATEST PART INFORMATION

Part Number: [0190020031](#)
Status: **Active**
Overview: Standard Quick-Disconnect Terminals
Description: Avikrimp™ Fully Insulated Quick Disconnect, Female, for 14-16 AWG Wire, Box

Documents:

| | |
|--|--|
| 3D Model | Product Specification PS-19902-013-001 (PDF) |
| Drawing (PDF) | Product Specification PS-19902-014-001 (PDF) |
| Product Specification PS-19902-011-001 (PDF) | RoHS Certificate of Compliance (PDF) |

Agency Certification

| | |
|-----|---------|
| CSA | LR18689 |
| UL | E79133 |

General

| | |
|-------------------------|---|
| Product Family | Quick Disconnects |
| Series | 19002 |
| Crimp Quality Equipment | Yes |
| Insulated | Fully |
| Overview | Standard Quick-Disconnect Terminals |
| Product Name | Avikrimp™ |
| Type | Quick Disconnect |
| UPC | 800753027459 |

Physical

| | |
|--------------------------------|-----------------|
| Barrel Type | Closed |
| Color - Resin | Blue |
| Flammability | 94V-2 |
| Gender | Female |
| Glow-Wire Compliant | Yes |
| Insulation | Nylon (PA) |
| Lock to Mating Part | None |
| Material - Metal | Brass |
| Material - Plating Mating | Tin |
| Material - Plating Termination | Tin |
| Net Weight | 0.980/g |
| Orientation | Straight |
| Packaging Type | Bag |
| Polarized to Mating Part | No |
| Tab Thickness | 0.81mm |
| Tab Width | 4.75mm |
| Temperature Range - Operating | -65°C to +105°C |
| Wire Insulation Diameter | 3.94mm max. |
| Wire Size AWG | 14, 16 |
| Wire Size mm² | 1.30-2.00 |

Electrical

| | |
|-------------------|------|
| Voltage - Maximum | 300V |
|-------------------|------|

Solder Process Data

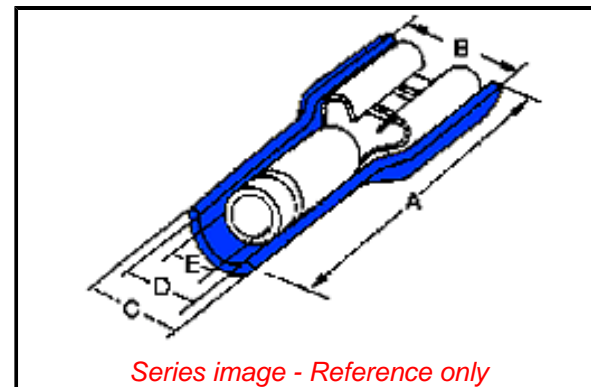
| | |
|------------------------------|-----|
| Lead-free Process Capability | N/A |
|------------------------------|-----|

Material Info

| | |
|--------------------|---------|
| Engineering Number | BB-5273 |
|--------------------|---------|

Reference - Drawing Numbers

| | |
|-----------------------|---|
| Product Specification | PS-19902-011-001, PS-19902-013-001, PS-19902-014-001 |
|-----------------------|---|



EU ELV

Not Relevant

EU RoHS

Compliant

REACH SVHC

Not Contained Per
-ED/01/2017 (12
January 2017)

Halogen-Free

Status

Low-Halogen

Need more information on product environmental compliance?

Email productcompliance@molex.com
Please visit the [Contact Us](#) section for any non-product compliance questions.

| | |
|-----------------|---------------|
| China ROHS | Green Image |
| ELV | Not Relevant |
| RoHS Phthalates | Not Contained |

Search Parts in this Series

[19002 Series](#)

This document was generated on 07/26/2017

PLEASE CHECK WWW.MOLEX.COM FOR LATEST PART INFORMATION